



## ABB SERIES

### HIGH-EFFICIENCY MEDIA AIR CLEANER

### MERV 11 RATED EFFICIENCY



#### Standard Features

- High-efficiency MERV 11 Media Filter removes household particles down to 0.3 micron
- MERV 11 Rated Efficiency (ASHRAE Standard 52.2)
- Snug-fit filter allows no air gaps
- User-friendly, easy-to-change filter
- Reversible airflow; mounts in any position
- Easy to replace with an Amana® brand high-efficiency electronic air cleaner, capable of removing contaminants as small as 0.01 micron

#### Cabinet Features

- Heavy-gauge galvanized steel cabinet with powder-painted snap-on door
- Vertical or horizontal installation
- Pre-drilled holes facilitate mounting the unit to duct work or air-handling system



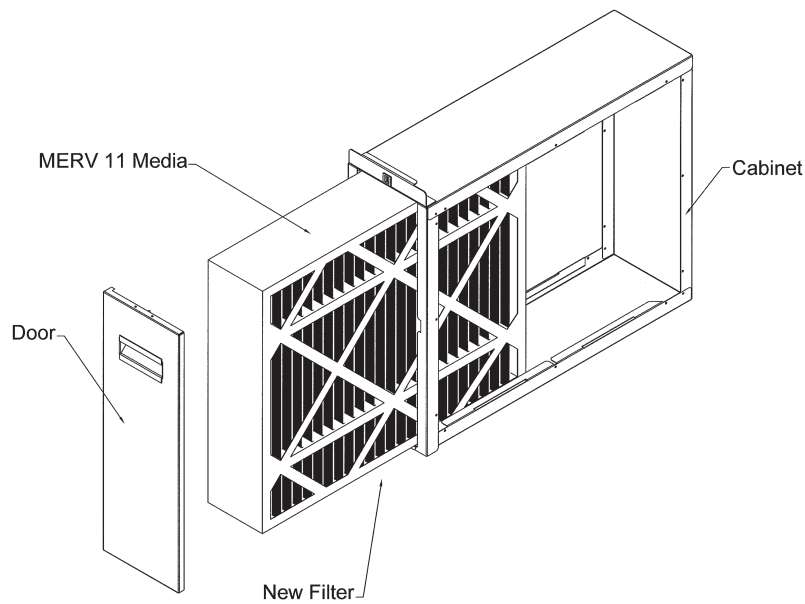
\* Complete warranty details available from your local dealer or at [www.amana-hac.com](http://www.amana-hac.com).

# SPECIFICATIONS

MODEL	ABB1625*	ABB2025*
House Size	<3,000 ft <sup>2</sup> (<278.70 m <sup>2</sup> )	>3,000 ft <sup>2</sup> (>278.70 m <sup>2</sup> )
Air Flow	up to 1400 cfm (up to 2379 m <sup>3</sup> /hr)	up to 2000 cfm (up to 3398 m <sup>3</sup> /hr)
Duct Size	16" x 25" (40.5 x 63.5 cm)	20" x 25" (51 x 63.5 cm)
Intake Dimensions (H x L)	13.25" x 23.7" (33.7 x 60.2 cm)	18.1" x 23.25" (46.4 x 59.1 cm)
Cabinet Dimensions (W x H x L)	7.5" x 16" x 26" (19.05 x 40.6 x 66 cm)	7.5" x 20.75" x 25.6" (19.05 x 52.7 x 66 cm)
Weight	18 lbs (8.2 kg)	20 lbs (9.1 kg)
MERV Rating	11	11

\* Power Consumption = 0

# DIMENSIONS



# ACCESSORIES

MODEL	REPLACEMENT FILTER
ABB1625	Part #M1-1056
ABB2025	Part #M8-1056

For optimal performance of the air cleaner, replace filters 1 to 3 times per year depending on climate or home renovations. Replacement filters are packaged three per box.

**FOR MORE INFORMATION, CALL THE AIR CLEANER HELP LINE TOLL FREE @ 1-800-267-8305**

